

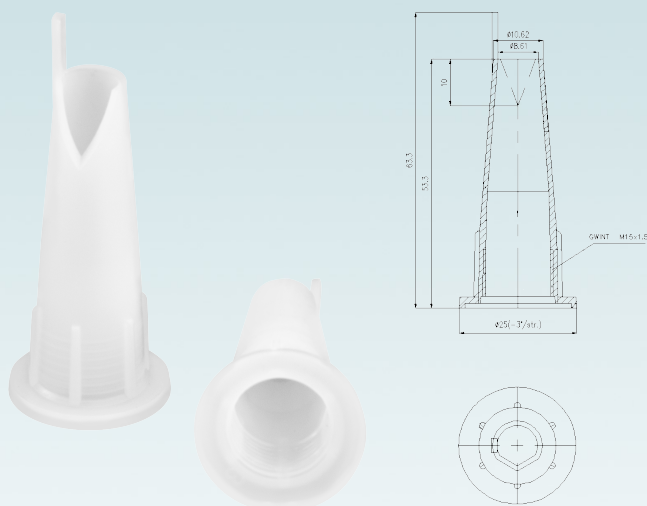


KARTPOL GROUP



## PRODUCT TECHNICAL DATA SHEET

# NOZZLE ALUMINUM NOZZLE AL-26



2300 pcs box

Material	HDPE
Weight	2.6 g
Thread	15 x 1,5
Diameter	Ø25 mm
Top bore diameter	Ø8.61 mm
Colors	transparent