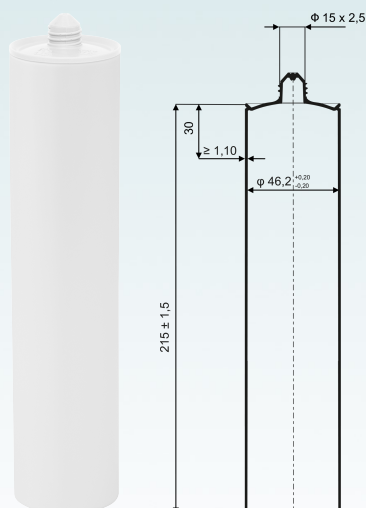


# PRODUCT TECHNICAL DATA SHEET

## CARTRIDGE DRG32



<b>Volume</b>	310 ml
<b>Material</b>	HDPE
<b>Weight</b>	41 ± 1,5 g
<b>Inner diameter</b>	Ø46,2 ± 0,2 mm
<b>Thread</b>	15 x 2,5 mm
<b>Colors</b>	white
<b>Warranty</b>	12 months

### Palletization\*

3360 / 3780 szt. - 140pcs. per box  
3840 szt. - 64pcs. per strip

\*other variants to be discussed with Customer Office

### Other aspects:

- packaging requires storage testing in the target use environment
- the customer is responsible for validating the packaging with the target batch

### Compatible products

Plunger K-02, Plunger K-11  
Nozzle Clip DC10, Nozzle Standard D01, Nozzle Clip Cap VD17, Nozzle V-SEAM with clip, Nozzle VD17-PCR50B, Nozzle DC10-PCR50B

V.4 / 28/10/2025