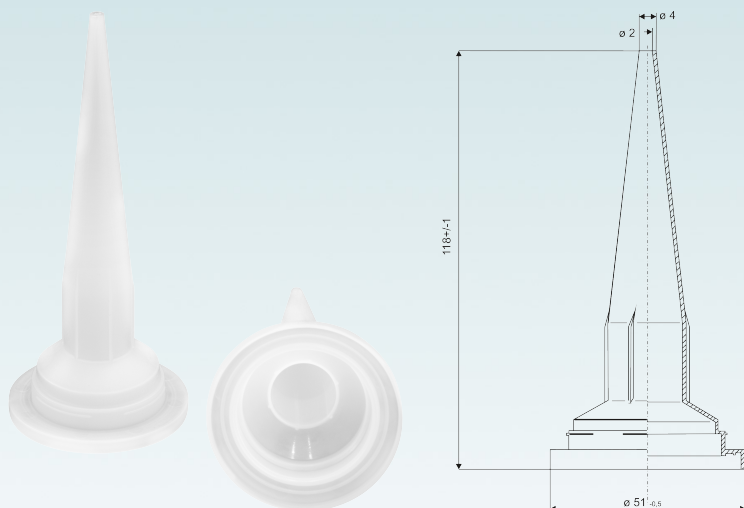


PRODUCT TECHNICAL DATA SHEET

NOZZLE FOIL DF



| | |
|-----------------|-------------|
| Material | HDPE |
| Weight | 7,3 ± 0,3 g |
| Colors | transparent |
| Warranty | 12 months |

Palletization*

12000 / 15000 pcs. - 500 pcs per box

*other variants to be discussed with Customer Office

Other aspects:

- packaging requires storage testing in the target use environment
- the customer is responsible for validating the packaging with the target batch

V.4 / 28/10/2025