

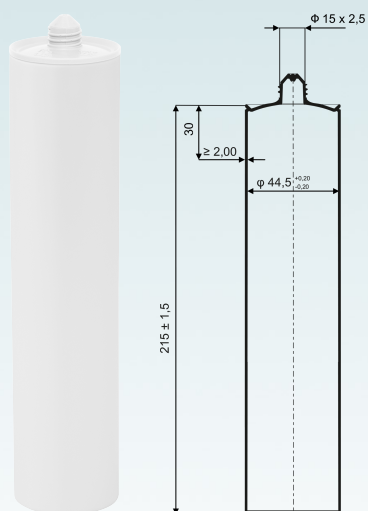


KARTPOL GROUP



PRODUCT TECHNICAL DATA SHEET

CARTRIDGE RG29



Volume	290 ml
Material	HDPE
Weight	69 + 1,5 / - 2,0 g
Inner diameter	Ø44,5 ± 0,2 mm
Thread	15 x 2,5 mm
Colors	white*
Warranty	12 months

Palletization*

140 pcs box (3360 or 3780 pcs palette)

*other variants to be discussed with Customer Office

*Other colours available on special order

V. /