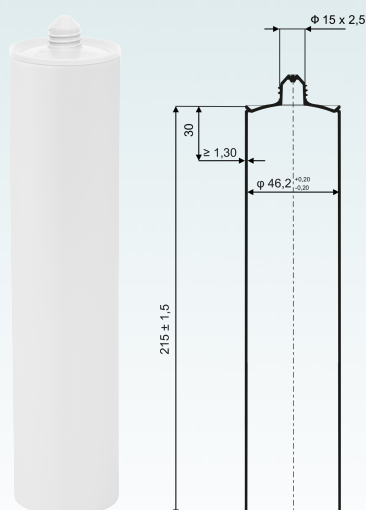


PRODUCT TECHNICAL DATA SHEET

CARTRIDGE RG32



UV screen printing

Volume	310 ml
Material	HDPE
Weight	47 ± 1,5 g
Inner diameter	Ø46,2 ± 0,2 mm
Thread	15 x 2,5 mm
Colors	white
Warranty	12 months

Palletization*

3360 / 3780 szt. - 140pcs. per box
3840 szt. - 64pcs. per strip

*other variants to be discussed with Customer Office

Other aspects:

- packaging requires storage testing in the target use environment
- the customer is responsible for validating the packaging with the target batch

Compatible products

Plunger K-02, Plunger K-11
Nozzle Clip DC10, Nozzle Standard D01, Nozzle Clip Cap VD17, Nozzle V-SEAM with clip, Nozzle VD17-PCR50B, Nozzle DC10-PCR50B

V.4 / 27/10/2025