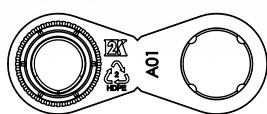
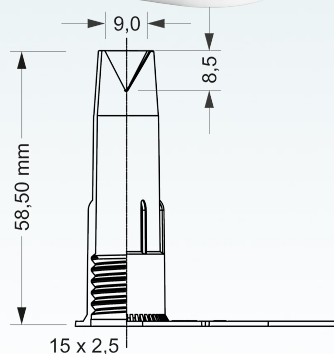
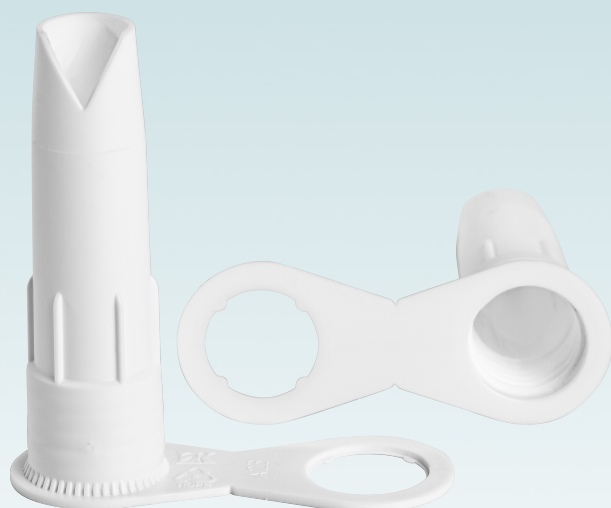


PRODUCT TECHNICAL DATA SHEET

NOZZLE V-SEAM WITH CLIP



Material	HDPE
Weight	2,6 ± 0,3 g
Thread	15 x 2,5 mm
Colors	according to colour selection guide"
Warranty	12 months

Palletization*

81000 / 64800 pcs. - 2700 pcs per box

*other variants to be discussed with Customer Office

Other aspects:

- packaging requires storage testing in the target use environment
- the customer is responsible for validating the packaging with the target batch

Compatible products

Cartridge PP32-HT, Cartridge RG32, Cartridge RG32-PCR50, Cartridge RG32-PCR80, Cartridge DRG32, Cartridge DRG32-PCR50, Cartridge RG29, Cartridge GL-RG29, Cartridge RG29-PCR50, Cartridge PA

V.3 / 28/10/2025